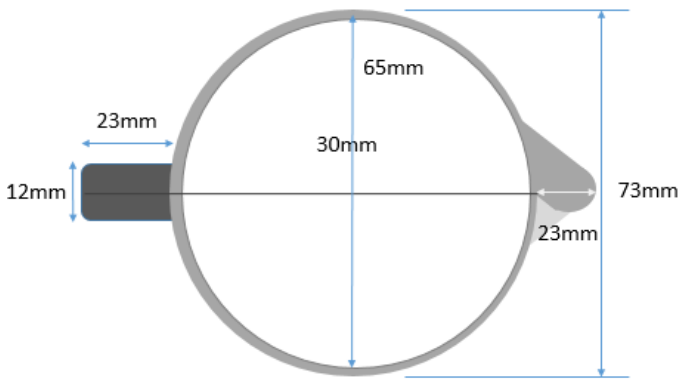


Radiator Valve Cover

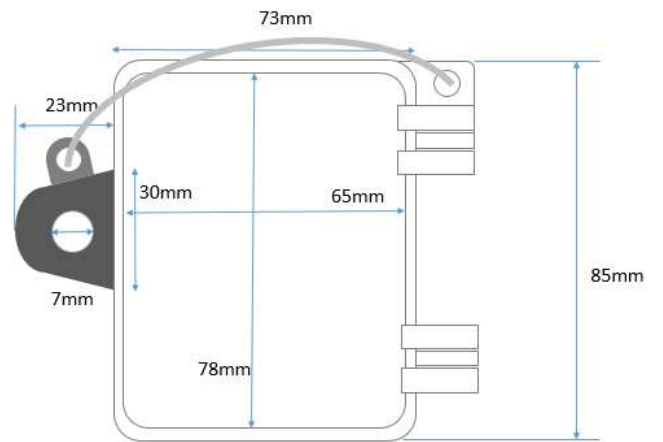


- Designed to encapsulate virtually any radiator valve – whether horizontal or vertical
- Supplied with a locking cap to designed to accommodate a padlock
- Padlock used to ensure locking cover is only removed by authorised person
- Padlock provided may be keyed alike with others in the same order or uniquely keyed

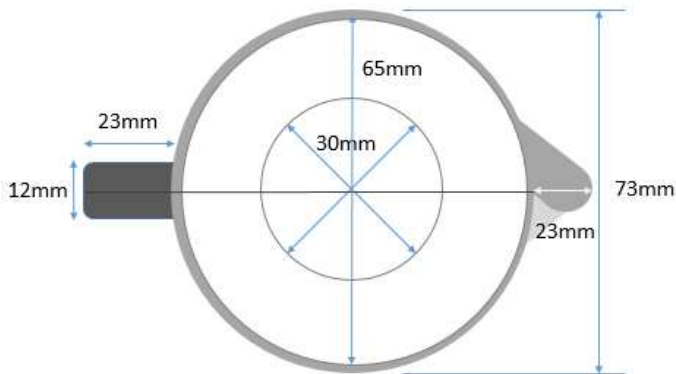
Overhead View



Side View



Underside View



Material:

High Density Polyethylene

Thickness on clam shell :3mm thick

Warranty:

1 Year

Country of Origin:

India