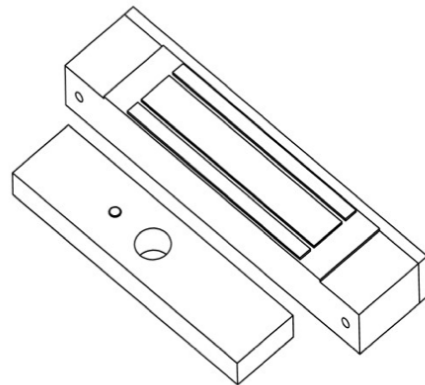
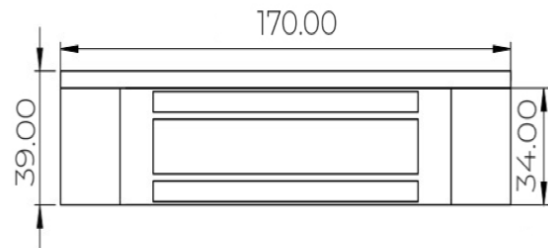


300lb Micro Magnetic Lock



FIRE TESTED to BSEN1634-1-2014
(30, 60, 90 & 120 min timber door-sets)



SPECIFICATION

- Aluminium housing
- 12 VDC @ 300mA
- 180kgs (300lb) holding force
- Built in surge protection
- Surface mount
- Fail safe operation (power to lock)
- +/- 15% voltage tolerance
- -10° to +50° operating temperature
- Push off release pin on armature

FEATURES

- Fire rated (30, 60, 90 & 120 min timber door set)
- Slim line micro magnet
- Clean and compact design
- No residual magnetism

Suitable Brackets/Housings:

- BK300ZL
- AH300

DIMENSIONS

- 170x39x21 (mm) Maglock
- 130x31x11 (mm) Armature
- 1.06kg Boxed
- 610g Unboxed

CONTENTS

- Slimline mini magnet (300lb)
- Armature plate
- 300GB fixing kit
- Instructions
- Armature fixing template